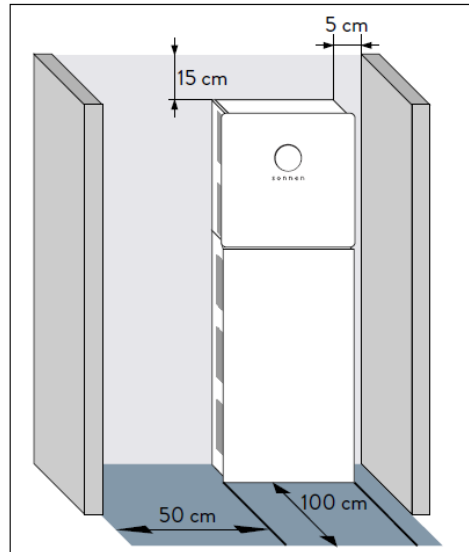


TN023 – Sonnen eco 8.0 Modification to Installation Access Regions

The installation manual for the sonnen eco 8 series products sets out the following minimum distances for the purpose of installation access only.

5.2.2 Observing minimum distances

Figure 4:
Minimum distances



► Observe the specified minimum distances to neighbouring objects.

The minimum distances ensure that:

- there is sufficient heat dissipation,
- the storage system door can be opened easily and
- there is sufficient space for maintenance work.

Please Note:

The clearance to the left-hand side of the sonnen eco 8 series products cannot be reduced to a value of less than 40cm as this would hinder the heat dissipation and ventilation requirements of the product.

The 100cm clearance in front of the unit can be reduced when the sonnen eco 8 series product is being installed within a pre-designed sonnen enclosure or enclosure the design of which has been authorised in writing by sonnen Australia.

In addition, when installing the sonnen eco 8 series product within an internal room or within a garage space whereby a door, wall, piece of furniture or parked car may lay within the 100cm front of the product then a minimum distance of 80cm must be retained to any fixed object and 60cm to a moveable object such as a vehicle.

In circumstances where an installation does require a reduced level of clearance than that specified within the installation manual please seek prior approval in writing from sonnen Australia to ensure that there are not any irregularities with the system warranty and that there are no adverse effects with system ventilation and heat dissipation.

If you have any further questions or comments within this regard, please feel free to contact the sonnen Australia service division at any time.

Yours faithfully,



James Sturch
 Technical Business Manager Australia & New Zealand